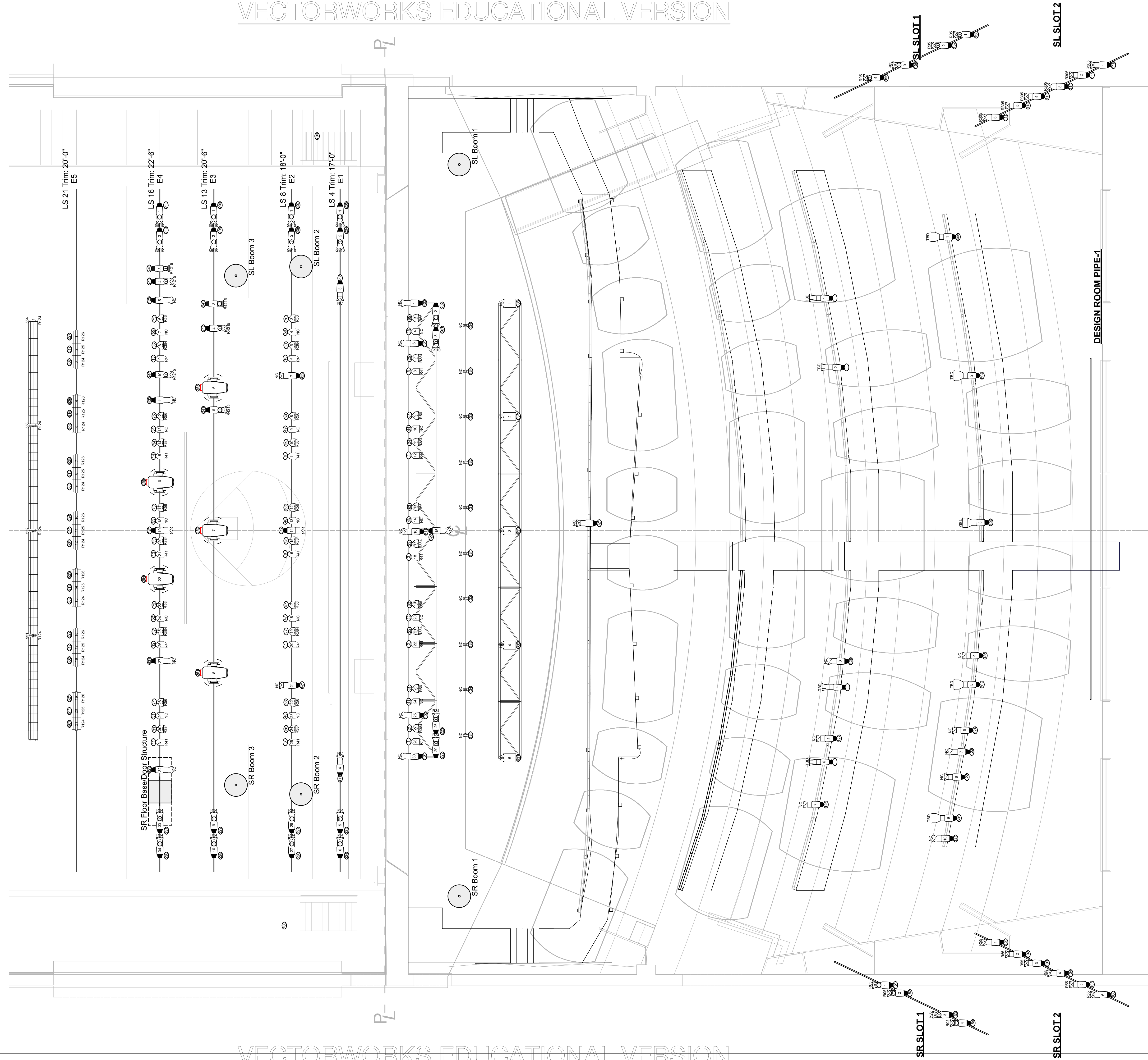
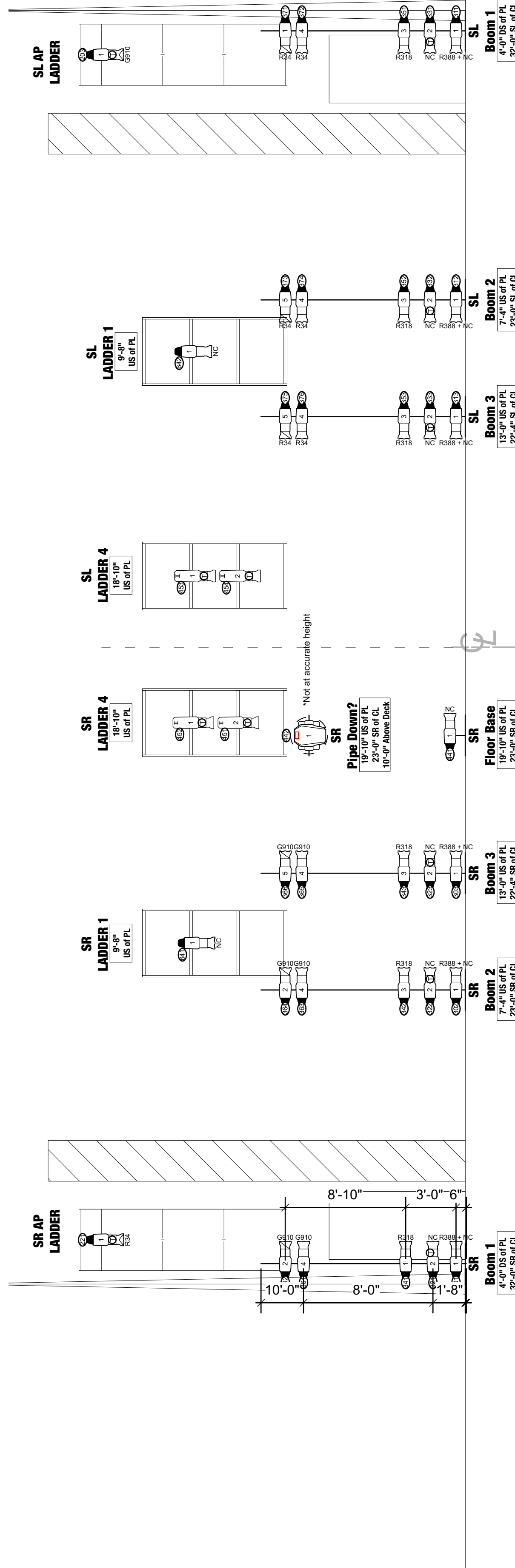


- NOTES:**
- Boom fixtures hung on side arms possible
  - Shim is hung as close to the floor as possible
  - Boom placement measured from center point, all booms 10'-0" tall
  - All fixture placements on booms are the same as SR Boom 1
  - Ladder placement measured from DS edge
  - Solar frame 750 hung on either tall down or goal post structure ~10'-0" off the ground directly above SR Floor Base.
  - Will give a more accurate drawing when scenic gives model to TD



Designer/Contact Information:  
M Connors Design

Notes:  
-- Please have R132 available at focus  
-- Please have 7.5" barn doors available at focus  
-- Added SR/SL Ladder 1 with 1 unit each  
-- Changed Ladder 4 to Lustr+'s  
-- House Lights channel 999

	ETC Source 4 10deg @750 W	8
	ETC Source 4 14deg @750 W	4
	ETC Source 4 19deg @750 W	45
	ETC Source 4 26deg @750 W	10
	ETC Source 4 36deg @750 W	39
	ETC Source 4 50deg @750 W	33
	Altman Bin Fres @750 W	40
	ETC Source 4 PAR WFL @575 W	40
	High End Systems SoloTheater @500 W	6
	3 Cell Sky Cyc Right @1kw	7
	3 Cell Sky Cyc Left @1kw	7
	3 Cell Sky Cyc Center @1kw	7
	Altman Ground Cyc 12 Cells @12 W	4

Project: Spring 2024 Aroidante Prelim Temple Theaters  
Date: 3/1/24  
Scale: 1/4" = 1'-0"  
Sheet: 1 OF 1

Light Plot

Drawn By: MMC  
Revision Date: 2/13/2024